



S W Hart & Co ®

MAKE HART MODEL RDH

## Wall Supply Register

### FEATURES :

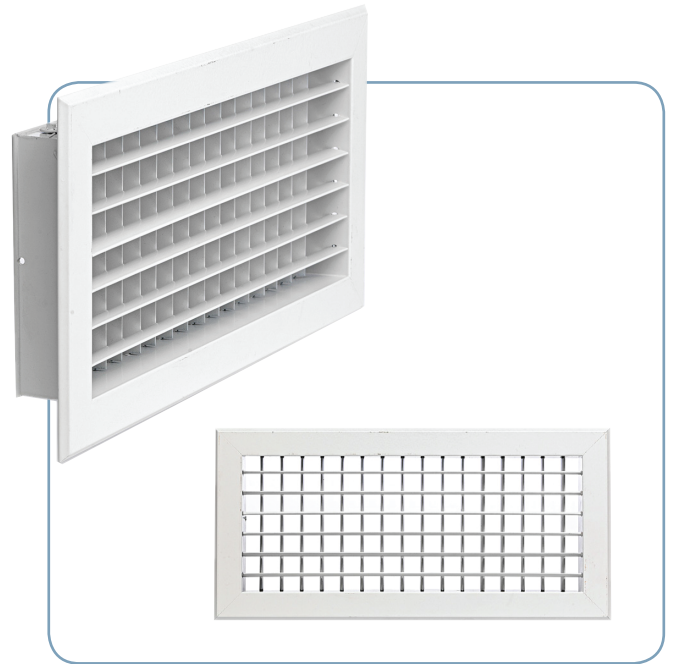
- ⊙ Double deflection surface mount supply register
- ⊙ Adjustable vertical and horizontal aerofoil blades at 19mm pitch front blades and 25mm pitch rear blades
- ⊙ Aluminium and steel construction
- ⊙ Standard powder coat finish in satin white
- ⊙ Alternative colours are available on request
- ⊙ Available in single deflection
- ⊙ Available with front vertical blades
- ⊙ Removable front frame for concealed fixing
- ⊙ 75% free area - double deflection
- ⊙ 84% free area - single deflection

### ACCESSORIES :

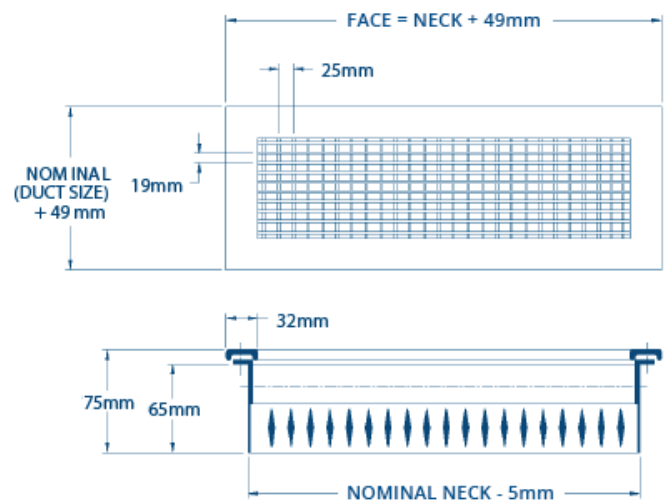
- ⊙ Opposed Blade Damper
- ⊙ Stream Splitter Damper
- ⊙ Slide Damper
- ⊙ Plenum Box

### INSTALLATION :

- ⊙ Wall
- ⊙ Duct



### DIMENSION :



### RDH – STANDARD SIZES :

- ⊙ Made to order in size increments of 50mm



S W Hart & Co ®

## Specifications

### DOUBLE DEFLECTION REGISTERS - SIDE WALL OUTLET, SELECTION TABLES: FLAT CEILING - COOLING ONLY

OUTLET VELOCITY		1.25 M/SEC				1.5 M/SEC				2 M/SEC				2.5 M/SEC				3 M/SEC			
REGISTER SIZE	BLADE SETTING	QTY L/s	Blow M	S.P. Pa	Drop M	QTY L/s	Blow M	S.P. Pa	Drop M	QTY L/s	Blow M	S.P. Pa	Drop M	QTY L/s	Blow M	S.P. Pa	Drop M	QTY L/s	Blow M	S.P. Pa	Drop M
150 x 100	straight	17	2.4	1	0.7	23	2.7	2	0.8	27	4	3	1.1	34	4.9	5	1.2	40	6.1	7	1.3
	221/2"		2.1	2	0.7		2.4	2	0.6		3.3	4	0.8		4.3	6	1.1		5.2	7	1.2
	45°		1.2	2	0.6		1.5	2	0.3		2.1	4	0.6		2.7	6	0.6		3.3	8	0.8
200 x 100	straight	23	2.7	1	0.7	27	3.3	2	0.4	36	4.3	3	1.1	45	5.5	5	1.3	54	6.7	6	1.5
	221/2"		2.4	1	0.7		2.7	2	0.8		3.7	4	1		4.9	5	1.2		5.8	7	1.3
	45°		1.5	2	0.6		1.8	2	0.5		2.4	4	0.7		3	6	0.7		3.7	8	0.8
250 x 100	straight	29	2.7	1	0.7	34	3.7	2	1	45	4.6	3	1.2	58	6.1	5	1.5	68	7.3	6	1.6
	221/2"		2.4	1	0.7		3	2	0.8		4	3	1.1		5.2	5	1.2		6.4	7	1.5
	45°		1.5	2	0.6		1.8	2	0.3		2.4	4	0.7		3.3	6	0.8		4	8	0.9
300 x 100 200 x 150	straight	35	3	1	0.7	41	3.7	2	1	55	4.9	3	1.3	70	6.4	5	1.5	84	7.6	6	1.7
	221/2"		2.7	1	0.7		3.4	2	0.9		4.3	4	1.1		5.5	5	1.3		6.7	7	1.5
	45°		1.8	2	0.6		2.1	2	0.4		3.7	4	0.7		3.3	6	0.8		4.3	8	1
350 x 100	straight	41	3.3	1	1	49	4	2	1.1	65	5.2	3	1.4	82	7	5	1.7	97	8.2	6	2
	221/2"		3	1	0.8		3.3	2	0.9		4.6	3	1.2		6.1	5	1.5		7	7	1.6
	45°		1.8	1	0.7		2.1	2	0.4		2.7	4	0.7		4	6	1.3		4.6	8	1
400 x 100	straight	47	3.3	1	1.1	56	4	2	1.1	74	5.5	3	1.4	93	7	5	1.7	109	8.5	6	2.1
	221/2"		3	1	1		3.7	2	1		4.9	3	1.3		6.1	5	1.5		7.3	7	1.6
	45°		1.8	2	0.7		2.1	2	0.4		3	4	0.8		4	6	1.2		4.9	8	1.1
450 x 100 300 x 150	straight	53	3.7	1	1.2	62	4.3	2	1.2	83	5.8	3	1.5	106	7.3	5	1.8	125	8.8	6	2.1
	221/2"		3	1	1		3.7	2	1		5.2	3	1.4		6.4	5	1.5		7.6	7	1.7
	45°		1.8	2	0.7		2.1	2	0.4		3	4	0.8		4	5	1.1		4.9	8	1.1
500 x 100 250 x 200	straight	57	3.7	1	1.2	69	4.6	2	1.3	92	6.1	3	1.7	116	7.6	4	1.9	138	9.1	6	2.2
	221/2"		3.3	1	1.1		4	2	1.1		5.2	3	1.4		6.7	5	1.6		8	7	1.8
	45°		2.1	2	0.7		2.4	2	0.6		3.3	4	0.8		4.3	5	1		5.2	8	1.2
600 x 100 400 x 150 300 x 200	straight	73	4	1	1.4	87	4.9	2	1.4	114	6.4	3	1.7	146	8.5	4	2.2	172	10	6	2.6
	221/2"		3.3	1	1.1		4.3	2	1.2		5.5	3	1.4		7.3	5	1.8		8.5	7	2.1
	45°		2.1	2	0.7		2.7	2	0.8		3.7	3	1		4.6	5	1.1		5.5	7	1.2
750 x 100	straight	90	4.9	1	1.5	106	5.8	2	1.7	140	8	3	1.2	177	10	4	2.8	210	12.5	6	3.5
	221/2"		4.3	1	1.4		5.2	2	1.5		7	3	1.9		8.8	5	2.3		10.7	6	2.8
	45°		2.7	1	0.8		3.3	2	0.9		4.3	3	1.1		5.5	5	1.3		6.7	7	1.5
900 x 100	straight	108	4.6	1	1.4	126	5.5	2	1.6	166	7.3	1	1.9	212	9.4	4	2.6	250	11.3	6	3.1
	221/2"		4	1	1.4		4.9	2	1.4		6.4	5	1.7		8.2	5	2.1		9.8	6	2.5
	45°		2.4	2	0.7		3	2	0.8		4	1	1.1		5.2	5	1.2		6	7	1.3
250 x 150	straight	46	3.3	1	1.1	54	4	2	1.1	70	5.5	3	1.4	90	7	5	1.7	106	8.8	6	2.1
	221/2"		3	1	0.9		3.7	2	1		4.9	3	1.3		6.1	5	1.5		7.6	7	1.7
	45°		1.8	2	0.6		2.1	2	0.4		3	4	0.8		4	6	1.1		4.9	8	1.1
350 x 150	straight	61	3.7	1	1.2	73	4.6	2	1.3	97	6.1	3	1.6	122	8	5	2	146	9.4	6	2.4
	221/2"		3.3	1	1.1		4	2	1.1		5.5	3	1.4		6.7	5	1.6		8.2	7	2
	45°		2.1	2	0.7		2.4	2	0.6		3.3	4	0.8		4.3	5	1		5.2	8	1.2
450 x 150	straight	82	4.3	1	1.4	97	4.9	2	1.4	127	6.7	3	1.7	160	8.5	4	2.2	189	11.4	6	3.9
	221/2"		3.7	1	1.2		4.3	2	1.2		5.8	3	1.5		6.6	5	1.9		8.8	6	2.1
	45°		2.1	2	0.7		2.7	2	0.8		3.7	4	1		4.9	5	1.2		5.8	7	1.3
500 x 150	straight	92	4.3	1	1.4	108	5.2	2	1.5	144	7	3	1.9	183	8.8	4	2.3	217	10.7	6	2.8
	221/2"		3.7	1	1.2		4.6	2	1.3		6.1	3	1.6		7.6	5	1.9		9.7	6	2.2
	45°		2.4	1	0.7		2.7	2	0.6		4	4	1.1		4.9	5	1.2		5.8	7	1.3
600 x 150 450 x 200	straight	110	4.6	1	1.4	132	5.5	1	1.6	175	7.3	3	1.9	222	9.8	4	2.6	264	11.6	6	3.3
	221/2"		4	1	1.3		4.9	2	1.4		6.4	3	1.7		8.2	5	2.1		10	6	2.6
	45°		2.4	1	0.7		3	2	0.8		4	3	1.1		5.2	5	1.2		6.4	7	1.4
750 x 150	straight	137	4.9	1	1.5	165	6.1	1	1.9	217	8	3	2.2	274	10.4	4	1.7	326	12.5	6	3.5
	221/2"		4.3	1	1.4		5.2	2	1.5		7	3	1.9		8.8	4	2.3		10.7	6	2.8
	45°		2.7	1	0.8		3.3	2	0.9		4.3	3	1.1		5.5	5	1.3		6.7	7	1.5
900 x 150 1200 x 100	straight	165	5.2	1	1.7	196	6.4	1	1.9	260	8.2	3	2.3	330	11	4	3	392	13.4	6	3.9
	221/2"		4.6	1	1.4		5.5	2	1.6		7.3	3	1.9		9.4	4	2.6		11.3	6	3.1
	45°		3	1	0.9		3.3	2	0.9		4.6	3	1.2		6.1	5	1.5		7.3	7	1.6



S W Hart & Co ®

## Specifications

### DOUBLE DEFLECTION REGISTERS - SIDE WALL OUTLET, SELECTION TABLES: FLAT CEILING - COOLING ONLY

OUTLET VELOCITY		1.25 M/SEC				1.5 M/SEC				2 M/SEC				2.5 M/SEC				3 M/SEC			
REGISTER SIZE	BLADE SETTING	QTY L/s	Blow M	S.P. Pa	Drop M	QTY L/s	Blow M	S.P. Pa	Drop M	QTY L/s	Blow M	S.P. Pa	Drop M	QTY L/s	Blow M	S.P. Pa	Drop M	QTY L/s	Blow M	S.P. Pa	Drop M
350 x 200	straight	85	4.3	1	1.4	101	4.9	2	1.4	134	6.7	3	1.8	169	8.8	4	2	200	10.4	6	2.7
	22 1/2"		3.7	1.5	1.2		4.3	2	1.2		5.8	3	1.5		7.6	5	2		9.1	6	2.2
	45°		2.4	1.7	0.7		2.7	2	0.8		3.7	3	1		4.9	5	1		5.8	7	1.3
400 x 200	straight	97	4.3	1	1.4	114	5.2	2	1.5	151	7	3	1.9	193	9.1	4	2	227	11	6	2.9
	22 1/2"		4	1	1.3		4.6	2	1.3		6.1	3	1.6		8	5	2		9.4	6	2.4
	45°		2.4	1.5	0.7		3	2	0.8		4	3	1.1		4.9	5	1		6.1	7	1.3
500 x 200	straight	127	4.9	1	1.5	150	5.8	1	0.7	198	7.6	3	2.1	250	10	4	2	295	12	6	3.4
	22 1/2"		4.3	1	1.4		4.9	2	1.4		6.7	3	1.8		8.5	5	2		10.4	6	2.7
	45°		2.7	1.5	0.8		3	2	0.8		4.3	3	1.1		5.5	5	1		6.4	7	1.5
600 x 200	straight	146	5.2	1	1.7	174	6.1	1	1.9	229	7.9	3	2.2	293	11	4	3	749	13	6	3.7
	22 1/2"		4.3	1	1.4		5.5	2	1.6		7	3	1.9		9.1	5	2		11	6	2.8
	45°		2.7	1.5	0.7		3.3	2	0.9		4.3	3	1.1		5.8	5	1		7	7	1.5
750 x 200	straight	189	5.5	1	1.8	221	6.7	1	2	293	8.8	3	2.5	373	12	4	3	444	14	5	4.1
	22 1/2"		4.9	1	1.5		5.8	2	1.7		7.6	3	2.1		10	4	2		12	6	3.3
	45°		3	1.5	0.9		3.7	2	1.1		4.9	3	1.3		6.4	5	2		7.6	7	1.7
900 x 200	straight	222	5.8	1	1.9	264	7	1	2.2	352	9.4	2	2.8	448	12	4	4	533	15	5	4.3
	22 1/2"		5.2	1	1.7		6.1	2	1.9		8.2	3	2.3		10.4	4	3		12	6	3.5
	45°		3.3	1.5	1.1		4	2	1.2		5.2	2	1.4		6.7	5	2		8	7	1.8
450 x 250	straight	142	4.9	1	1.5	167	6.1	1	1.9	223	8	3	2.2	278	10.4	4	3	334	12	6	3.5
	22 1/2"		4.3	1	1.4		5.2	2	1.5		7	3	1.9		8.8	4	2		11	6	2.8
	45°		2.7	1.5	0.8		3.3	2	0.9		4.3	3	1.1		5.8	5	1		6.7	7	1.5
500 x 250	straight	153	5.2	1	1.7	182	6.1	1	1.9	241	8.2	3	2.3	307	10.7	4	2	368	13	6	3.7
	22 1/2"		4.6	1	1.4		5.5	2	1.6		7.3	3	1.9		9.1	5	2		11	4	2.8
	45°		2.7	1.5	0.8		3.3	2	0.9		4.6	3	1.1		5.3	5	1		7	7	1.5
600 x 250	straight	198	5.8	1	1.9	236	6.7	1	2	309	9.1	2	2.6	392	11.6	4	3	467	14	5	4.3
	22 1/2"		4.9	1	1.5		5.8	2	1.7		7.9	3	2.2		10	4	2		12	6	3.4
	45°		3	1.5	0.9		3.7	2	1.1		4.9	3	1.3		6.4	5	1		7.6	7	1.7
750 x 250	straight	231	5.8	1	1.9	276	7	1	2.2	363	9.4	3	2.8	462	12.5	4	4	557	15	5	4.3
	22 1/2"		5.2	1	1.7		6.1	2	1.9		8.2	3	2.3		10.7	4	3		12	6	3.5
	45°		3.3	1.5	1.1		4	2	1.1		5.2	3	1.4		6.7	5	2		8	7	1.8
900 x 250	straight	283	6.4	1	2.1	335	7.6	1	2.4	444	10	2	3	562	13	4	4	665	16	5	4.7
	22 1/2"		5.5	1	1.8		6.7	2	2		8.8	3	2.5		11	4	3		13	6	3.9
	45°		3.3	1.5	1.1		4.3	2	1.2		5.5	3	1.4		7	5	2		8.5	7	2
300 x 300	straight	170	5.4	1.2	2.3	200	6.2	1.6	2.5	250	8.5	2.6	2.8	325	11	4.2	3.1	410	14	6.2	4.1
	22 1/2"		4.6	1.3	1.8		5.5	1.8	2		7.5	3	2.3		9.5	4.6	2.1		11.6	7	3.2
	45°		2.9	1.5	1.1		3.5	2	1.2		4.6	3.2	1		6	5	1.2		7.5	8	2.1
450 x 300	straight	170	5.5	1	1.8	217	6.4	1	1.9	264	8.5	3	2.4	344	11	4	3	401	13	6	3.9
	22 1/2"		4.9	1	1.5		5.5	2	1.6		7.3	3	1.9		9	4	3		11	6	3.1
	45°		3	1.5	0.9		3.3	2	0.9		4.6	3	1.2		6.1	5	1		7.5	7	1.6
900 x 300	straight	349	6.7	1	2.2	401	8	1	2.5	529	11	2	3.3	670	14	4	5	755	17	5	4.9
	22 1/2"		5.8	1	1.9		7	2	2.2		9.4	3	2.8		12	4	4		14	6	4.1
	45°		3.7	1.5	1.2		4.6	2	1.3		6.1	3	1.6		7.6	5	2		9.1	7	2.2
1050 x 300	straight	396	7	1	2.3	467	8.5	1	2.7	614	14	2	4.5	783	15	4	4	944	18	5	5.2
	22 1/2"		6.1	1	2		7.3	2	2.3		9.7	3	2.8		12	4	4		15	6	4.3
	45°		4	1.5	1.4		4.6	2	1.3		6.1	3	1.6		8	5	2		9.8	6	2.5
1200 x 300	straight	458	7.6	1	2.5	543	9.1	1	2.9	713	12	2	3.8	916	15	4	5	1086	19	5	5.7
	22 1/2"		6.7	1	2.2		7.6	2	2.4		10.4	3	3.2		13	4	4		16	6	4.7
	45°		4.3	1.5	1.4		4.9	2	1.4		6.4	3	1.7		8.5	5	2		10.4	6	2.7
1200 x 350	straight	543	7.9	1	2.7	637	9.4	1	3.1	845	13	2	4.1	1062	16	4	4	1274	20	5	5.9
	22 1/2"		7	1	2.3		8.2	2	2.6		11	3	3.3		14	4	4		16	6	4.8
	45°		4.3	1	1.4		5.2	2	1.5		7	3	1.9		9.1	5	2		10.7	6	3.8
1200 x 400	straight	590	8.2	1	2.7	698	9.3	1	3.2	920	13	2	4.3	1170	17	4	5	1392	20	5	6.1
	22 1/2"		7	1	2.3		8.5	2	2.7		11	3	3.3		14	4	4		17	6	5.1
	45°		4.5	1	1.4		5.5	2	1.6		7	3	1.9		9.1	5	2		11	6	2.9



S W Hart & Co ®

## Specifications

### DOUBLE DEFLECTION REGISTERS - SIDE WALL OUTLET, SELECTION TABLES: FLAT CEILING - COOLING ONLY

OUTLET VELOCITY		3.5 M/SEC			4 M/SEC			4.5 M/SEC			5 M/SEC			6 M/SEC										
REGISTER SIZE	BLADE SETTING	QTY L/s	Blow M	S.P. Pa	Drop M	QTY L/s	Blow M	S.P. Pa	Drop M	QTY L/s	Blow M	S.P. Pa	Drop M	QTY L/s	Blow M	S.P. Pa	Drop M	QTY L/s	Blow M	S.P. Pa	Drop M			
350 x 200	straight	236	12	8	3	264	14	10	4	297	16	12	4	330	18	15	5	396	22	20	6			
	221/2"		11	9	3		12	11	3		14	13	4		15	16	4		18	16	5	20	23	5
	45°		6.7	10	1		8	12	1		9	15	2		10	18	2		12	25	3			
400 x 200	straight	269	13	8	4	304	15	8	4	342	17	12	4	382	19	15	5	460	23	20	6			
	221/2"		11	9	3		12	9	3		14	13	4		16	16	4		19	23	5			
	45°		7	10	1		8	10	2		9	15	2		10	18	2		12	25	3			
500 x 200	straight	345	14	8	4	392	16	9	4	439	18	11	5	491	20	14	5	585	25	20				
	221/2"		12	9	3		14	10	4		15	13	4		17	16	4		20	23	5			
	45°		7.6	10	2		9	12	2		10	15	2		11	18	2		13	25	3			
600 x 200	straight	411	15	7	4	462	17	9	5	524	19	11	5	585	23	14	6	708	27	20				
	221/2"		13	8	3		14	10	4		16	13	4		19	16	5		22	23	6			
	45°		8.2	9	2		9	11	2		11	14	3		9	17	2		14	15	3			
750 x 200	straight	519	16	7	4	590	19	9	5	661	21	11	6	741	24	14	7	887	29	19				
	221/2"		14	8	1		15	10	4		18	13	5		19	15	5		24	22	6			
	45°		8.8	9	2		10	14	2		11	14	3		13	17	3		15	24	4			
900 x 200	straight	670	17	7	3	708	20	9	6	802	23	11	6	897	26	14	6	1076	31	19				
	221/2"		14	8	4		17	10	4		19	12	5		21	15	6		26	21				
	45°		9.4	9	2		11	11	3		12	14	3		14	17	3		17	24	4			
450 x 250	straight	390	15	7	4	446	17	9	5	500	19	11	5	557	22	14	6	670	26	20				
	221/2"		12	8	3		14	10	4		16	13	4		18	16	5		22	22	6			
	45°		8	9	2		9	11	2		10	14	2		12	17	3		14	25	3			
500 x 250	straight	429	15	7	4	481	17	9	5	547	19	11	5	613	22	14	6	736	26	20				
	221/2"		13	8	3		14	10	4		16	13	4		18	16	5		22	22	6			
	45°		8.2	9	2		9	11	2		11	14	2		12	17	3		14	25	4			
600 x 250	straight	547	17	7	5	614	19	9	5	698	22	11	6	779	24	14	7	939	30	19				
	221/2"		14	8	4		16	10	4		18	13	5		20	15	5		24	22				
	45°		9.1	9	2		10	11	2		11	14	3		13	17	3		16	24	4			
750 x 250	straight	651	17	7	5	732	20	9	6	840	23	11	6	935	26	14	7	1123	32	19				
	221/2"		14	8	4		17	10	5		19	13	5		21	15	6		26	21				
	45°		9.4	9	2		11	11	3		12	14	3		14	17	3		17	24	4			
900 x 250	straight	779	19	7	5	887	22	9	6	1000	25	11	7	1114	27	13	8	1331	33	19				
	221/2"		15	8	4		18	10	5		20	12	5		23	15	6		27	21				
	45°		10	9	2		11	11	3		13	14	3		15	17	4		18	23	4			
300 x 300	straight	460	16	7.2	4	520	18	9	5	590	20	11	6	660	23	14	6	800	27	19				
	221/2"		13	8.4	3		15	10	4		16.8	12	5		19	16	5		22	21	6			
	45°		8.5	9.1	2		9.5	11	2		10.8	14	3		12	18	3		14	23	3			
450 x 300	straight	472	16	7	4	524	18	9	5	599	20	11	5	661	23	14	6	802	28	20				
	221/2"		13	8	4		13	10	3		17	13	4		19	16	5		23	22	6			
	45°		8.5	9	2		10	11	2		11	14	2		12	17	3		15	15	4			
900 x 300	straight	944	20	7	6	1062	23	9	7	1204	26	11	8	1331	29	13	9	1605	35	18				
	221/2"		17	8	5		19	10	5		21	12	6		24	15	7		29	21				
	45°		11	9	3		12	11	3		14	14	4		16	17	4		19	23				
1050 x 300	straight	1095	21	7	6	1236	24	9	7	1416	28	11	8	1581	31	13	9	1888	37	18				
	221/2"		18	8	5		20	10	6		23	12	6		26	15	8		30	21				
	45°		11	9	3		13	10	3		15	13	4		17	16	4		20	23	5			
1200 x 300	straight	1274	22	7	10	1487	26	8	8	1643	30	11	9	1841	33	13	10	2030	40	18				
	221/2"		18	8	5		19	10	6		24	12	7		26	15	8		20	20				
	45°		12	9	3		14	10	4		16	13	4		17	16	4		22	22				
1200 x 350	straight	1557	23	6	7	1676	26	8	8	1912	30	10	9	2124	34	13	10	2549	42	18				
	221/2"		20	7	6		22	10	6		25	12	8		28	15	9		20	20				
	45°		13	8	3		14	10	4		16	13	4		18	16	5		22	22				
1200 x 350	straight	1614	24	7	7	1841	27	8	8	2077	31	10	9	2289	35	13	10	2761	44	18				
	221/2"		20	7	6		23	10	7		26	12	8		29	15	9		20	20				
	45°		13	8	4		15	10	4		17	13	4		19	16	5		22	22				





S W Hart & Co ®

## Specifications

### DOUBLE DEFLECTION REGISTERS - SIDE WALL OUTLET, SELECTION TABLES: FLAT CEILING - COOLING ONLY

OUTLET VELOCITY		1.25 M/SEC			1.5 M/SEC			2 M/SEC			2.5 M/SEC			3 M/SEC		
REGISTER SIZE	BLADE SETTING	QTY L/s	Blow M	S.P. Pa	QTY L/s	Blow M	S.P. Pa	QTY L/s	Blow M	S.P. Pa	QTY L/s	Blow M	S.P. Pa	QTY L/s	Blow M	S.P. Pa
1500 x 250	straight	460	7.6	1.1	550	9	1.4	740	12	2.4	950	16	3.7	1100	19	5
	221/2°		6.5	1.2		7.7	1.6		10.1	2.7		11.4	4.2		15.8	5.5
	45°		4.2	1.3		4.9	1.8		6.5	3		8.6	4.6		10	6
600 x 350	straight	250	6	1.1	300	7.2	1.5	1400	10	2.5	500	12.5	3.8	600	15.4	5.4
	221/2°		5.3	1.3		6.3	1.7		8.5	2.7		10.7	4.4		12.6	6
	45°		3.3	1.4		4.1	1.9		5.4	3.1		6.75	4.6		8.2	6.6
1500 x 350 1200 x 450	straight	680	8.5	1.1	800	10.1	1.4	1040	13.8	2.3	1400	18.1	3.6	1700	22	4.7
	221/2°		7.2	1.2		8.6	1.6		11.4	2.5		15.1	4.1		18.1	5.3
	45°		4.6	1.3		5.5	1.6		7.4	2.7		9.8	4.5		11.6	6
600 x 400 1200 x 200	straight	290	6.4	1.1	350	7.6	1.5	450	10.5	2.5	590	13.5	3.9	700	16	5.4
	221/2°		5.5	1.3		6.6	1.7		9	2.7		11.2	4.4		13.5	6
	45°		3.5	1.4		4.3	1.9		5.7	3		7.2	4.7		8.7	6.6
900 x 450	straight	500	7.8	1.1	600	9.2	1.5	800	12.5	2.3	1000	16	3.7	1200	19	5
	221/2°		6.6	1.2		8	1.7		10.7	2.7		13.5	4.1		16	5.6
	45°		4.3	1.3		5.1	1.8		6.8	2.9		8.6	4.6		10.1	6.1
1200 x 350	straight	540	8	1.1	540	9	1.4	700	12	2.4	900	15.8	3.7	1050	18.5	5
	221/2°		7	1.2		7.6	1.6		10.1	2.7		13	4.2		15.2	5.5
	45°		4.5	1.3		4.9	1.7		6.5	3		8.6	4.6		10	6.1
600 x 500 1500 x 200 1200 x 250	straight	360	7	1.1	420	8.4	1.5	550	11	2.4	720	14.5	3.8	850	17.2	5.2
	221/2°		6	1.2		7.2	1.7		9.5	2.6		12	4.4		14.4	5.9
	45°		4	1.3		4.6	1.9		6	3		7.8	4.8		9.4	6.4
900 x 500 1200 x 400 1500 x 300	straight	600	8	1.1	700	9.6	1.4	920	13	2.3	1300	18	3.6	1350	20	4.9
	221/2°		7	1.2		8.2	1.6		11	2.6		15	4.1		17	5.5
	45°		4.5	1.3		5.3	1.8		7	2.8		9.5	4.6		11	6.1
1200 x 500 1500 x 400	straight	800	9	1	920	10.8	1.4	1050	13.6	2.3	1560	19	3.6	1800	22.2	4.6
	221/2°		7.6	1.2		9.3	1.6		11.4	2.6		15.8	4		18.5	5.2
	45°		5	1.3		5.9	1.75		7.4	2.8		10	4.5		12	5.7
1500 x 500	straight	990	10	1.1	1120	11.5	1.3	1500	15.5	2.2	2400	20	3.5	2200	24	4.6
	221/2°		8.5	1.2		9.8	1.5		13	2.5		16.5	4		19.5	5.2
	45°		5.4	1.3		6.4	1.7		8.4	2.7		10.8	4.5		12.7	5.7
600 x 600	straight	410	7.2	1.1	480	8.8	1.4	650	11.5	2.4	840	15.1	3.7	995	18	5.1
	221/2°		6.2	1.25		7.5	1.6		9.7	2.6		12.9	4.2		15	5.8
	45°		4	1.3		4.7	1.8		6.2	2.9		8.2	4.6		9.8	6.4
900 x 600	straight	650	8.5	1.1	760	10.1	1.4	1000	13.1	2.3	1270	17.5	3.7	1500	21	5
	221/2°		7.2	1.2		8.6	1.6		11.1	2.6		14.5	4.1		17.5	5.6
	45°		4.6	1.3		5.6	1.8		7.1	2.8		9.4	4.6		11.1	6.1
1200 x 600	straight	920	9.5	1.1	1100	11.1	1.4	1400	15	2.3	1850	20	3.5	2150	24	4.7
	221/2°		8	1.2		9.6	1.6		12.9	2.6		16.5	3.9		19.5	5.1
	45°		5	1.3		6.1	1.7		8.2	2.7		10.8	4.4		12.5	5.8
750 x 750	straight	710	9	1.1	850	10.5	1.4	1100	14	2.3	1400	18.2	3.6	1700	22	4.7
	221/2°		7.5	1.2		9	1.6		12.5	2.6		15.2	4.1		18.1	5.4
	45°		4.7	1.3		5.6	1.7		7.5	2.8		9.9	4.5		11.5	5.9
900 x 750 1500 x 450	straight	860	9.4	1.1	1000	11	1.4	1500	15.5	2.3	1850	20	3.5	2000	23.2	6.9
	221/2°		8.1	1.2		9.5	1.6		13	2.6		16.5	4		19	5.4
	45°		5.2	1.3		6	1.7		8.4	2.8		10.6	4.4		12.1	5.9
1050 x 750	straight	1000	10	1	1200	11.8	1.35	1540	15.8	2.2	2000	21	3.5	2400	24	4.7
	221/2°		8.5	1.1		10	1.5		13	2.5		17	4		20	5.2
	45°		5.5	1.2		6.4	1.7		8.5	2.7		11	4.5		13	5.8
1200 x 750 1500 x 600	straight	1200	10.5	1	1400	12.5	1.3	1850	16.8	2.2	2300	22	3.4	2700	26	4.7
	221/2°		9	1.1		10.6	1.5		13.8	2.5		18	3.9		21	5.6
	45°		5.6	1.2		6.9	1.7		8.9	2.7		11.5	4.3		13.5	5.9
1500 x 750	straight	1450	11	1	1700	13.1	1.3	2200	18	2.2	2800	23	3.4	3400	28	4.5
	221/2°		9.5	1.1		11.1	1.5		15	2.5		19	3.9		23	5.1
	45°		6	1.2		7.2	1.7		9.6	2.7		12.1	4.3		14.8	5.6



S W Hart & Co ®

## Specifications

DOUBLE DEFLECTION REGISTERS - SIDE WALL OUTLET, SELECTION TABLES: FLAT CEILING - COOLING ONLY

REGISTER SIZE	OUTLET VELOCITY BLADE SETTING	3.5 M/SEC			4 M/SEC			4.5 M/SEC			5 M/SEC			6 M/SEC		
		QTY L/s	Blow M	S.P. Pa	QTY L/s	Blow M	S.P. Pa	QTY L/s	Blow M	S.P. Pa	QTY L/s	Blow M	S.P. Pa	QTY L/s	Blow M	S.P. Pa
1500 x 250	straight	1300	23	6.6	500	26	8.5	1700	29	10.2	1900	33	12.4	2200	40	17
	221/2"		18	7.5		21.4	9.6		24	11.5		26	14.2		32	19
	45°		12	8.2		13.6	10.5		15	12.4		17	16		21	21
600 x 350	straight	710	18	7	800	21	8.8	910	24	11	1000	27	13	1200	31	18
	221/2"		15	8		17.5	9.9		19	12.2		22	14		26	20
	45°		9.8	9		11.1	10.8		12	12.8		14	16		17	22
1500 x 350 1200 x 450	straight	1850	25	6.5	2200	29	8	2400	32	10	2550	36	12.5	3100	45	17
	221/2"		21	7.2		24	9		26	11		30	14		36	19
	45°		13	8		15.5	10		17	12.5		19	16		23	21
600 x 400 1200 x 200	straight	840	19	7	940	21.5	8.8	1050	25	11	1160	28	13	1400	33	18
	221/2"		16	8		18	9.6		21	12		23	15		27	20
	45°		10	9		11.5	10.6		13	13		15	16		11	22
900 x 450	straight	1400	23	6.8	1550	26.1	8.4	1800	30	10	2000	34	12	2300	40	17
	221/2"		19	7.5		22	9.5		25	11.5		27	14		32	19
	45°		12	8.3		14	10.4		15	13		18	16		21	21
1200 x 350	straight	1450	23	6.5	1400	25	8.4	1850	30	10	2000	34	13	2450	41	17
	221/2"		19	7.5		20.5	9.5		24	11		26	14		34	19
	45°		12	8		13	10.5		16	13		18	16		21	21
600 x 500 1500 x 200 1200 x 250	straight	1000	21	7	1110	23.5	8.6	1220	26	10	1400	30	13	1700	36	18
	221/2"		17	8		17.2	9.6		22	12		24	14		29	20
	45°		11	9		12.2	10.5		14	13		16	16		19	22
900 x 500 1200 x 400 1500 x 300	straight	1620	24	6.5	1850	28	8.4	2050	31	10	2200	35	12.4	2700	42	17
	221/2"		20	7.5		23	9.5		26	11.5		28	14		34	20
	45°		13	8.2		14.8	10.5		17	13		18	16		22	22
1200 x 500 1500 x 400	straight	2100	27	6.5	2400	30	8	2700	35	10	3000	39	12	3500	46	16
	221/2"		22	7.2		24	9		28	11		31	13		37	18
	45°		14	8		15.5	10		18	12		20	15		24	20
1500 x 500	straight	2600	29	6.2	3000	32	7.8	3400	36	9.6	3600	41	12	4400	50	16
	221/2"		24	7		27	8.8		30	11		34	13		40	18
	45°		15	7.7		17	9.6		19	12		22	14.5		26	20
600 x 600	straight	1120	22	6.8	1300	24	8.4	1450	28	10.5	1650	31	13	1950	37	17
	221/2"		18	7.5		20	9.5		23	12		25	14		30	19
	45°		11.5	8.2		13	10.5		15	13		16	16		19	21
900 x 600	straight	1800	25	6.5	2000	28.1	8.2	2300	31	10	2500	36	13	3000	45	16
	221/2"		20	7		23.2	9.4		26	11		30	14		35	18
	45°		13	8		15	10.4		17	12		19	16		23	20
1200 x 600	straight	2500	28	6.5	2800	32	8	3200	36	9.5	3500	41	12	4200	50	16
	221/2"		23	7.3		26	9		30	10.5		34	14		40	18
	45°		15	8.2		16.8	10		19	12		22	15		25	20
750 x 750	straight	1900	26	6.5	2400	30	8	2500	34	10	2700	36	12	3300	45	17
	221/2"		21	7.5		24.5	9		27	11		30	14		36	19
	45°		13	8.1		15.5	10		18	12		19	15		23	21
900 x 750 1500 x 450	straight	2400	28	6.5	2600	31	8	2950	36	10	3300	40	12	3900	49	16
	221/2"		23	7.5		26	9		29	11		32	14		39	18
	45°		15	8.2		16.2	10		19	12		21	15		25	20
1050 x 750	straight	2700	29	6.5	3100	33	8	3500	37	9.5	3900	42	12	4600	51	16
	221/2"		24	7.1		27	9		30	11		34	13		41	18
	45°		15	8		17	10		19	12		22	15		26	20
1200 x 750 1500 x 600	straight	3200	30	6.4	3700	36	8.2	4100	40	9.5	4500	45	12	5500	55	16
	221/2"		25	7.2		29	9.2		32	10.5		36	13		44	18
	45°		16	8		18.9	10.2		21	11.5		23	15		28	20
1500 x 750	straight	4000	34	6	4400	38	7.6	5000	42	9.5	5600	48	11.5	6700	58	16
	221/2"		26	7		31	8.5		34	10.5		39	13		46	17
	45°		17	8		20	9.5		22	12		25	14		30	19



S W Hart & Co ®

## Specifications

### DOUBLE DEFLECTION REGISTERS - SIDE WALL OUTLET, SELECTION TABLES: FLAT CEILING - COOLING ONLY

OUTLET VELOCITY		3.5 M/SEC				4 M/SEC				4.5 M/SEC				5 M/SEC				6 M/SEC			
REGISTER SIZE	BLADE SETTING	QTY L/s	Blow M	S.P. Pa	Drop M	QTY L/s	Blow M	S.P. Pa	Drop M	QTY L/s	Blow M	S.P. Pa	Drop M	QTY L/s	Blow M	S.P. Pa	Drop M	QTY L/s	Blow M	S.P. Pa	Drop M
150 x 100	straight	47	7.3	9	1.5	53	8.2	11	1.7	59	9.4	14	2	66	10	17	2.2	80	12	23	3
	221/2"		6.4	10	1.4		7	13	1.4		7.9	17	1.6		9	19	1.8		11	24	2
	45°		4	11	1		4.6	14	0.9		5.2	18	1.1		5.8	21	1.2		7	24	1
200 x 100	straight	64	8	9	1.7	72	9.1	11	2	80	10.4	14	2.3	90	11	17	2.5	108	14	23	3
	221/2"		7.3	10	1.5		8	13	1.7		8.8	15	1.5		10	19	2.2		11	25	3
	45°		4.6	11	1		5.2	15	1.1		5.8	17	1.2		6.4	21	1.2		7	28	1
250 x 100	straight	79	8.5	9	1.9	90	9.7	10	2.2	101	11	13	2.8	113	12	16	3	137	15	22	4
	221/2"		7.3	10	1.5		8.2	12	1.7		9.4	15	2.1		11	17	2.3		13	25	3
	45°		4.6	11	1		5.2	13	1.1		6.1	17	1.2		6.7	20	1.3		8	27	2
300 x 100 200 x 150	straight	99	9.1	9	2.1	111	10.4	10	2.4	125	12	13	3	139	13	16	3.4	170	16	22	4
	221/2"		8	10	1.7		9.1	12	2		10.4	15	2.3		11	17	2.6		14	25	3
	45°		4.9	11	1		5.8	13	1.2		6.7	16	1.3		7.3	20	1.4		9	27	2
350 x 100	straight	114	9.8	8	2.3	130	11	10	2.6	144	12	13	3.2	161	14	15	2.5	196	17	22	4
	221/2"		8.2	9	1.8		9.4	12	2.1		11	14	2.5		12	17	2.9		14	25	4
	45°		5.2	10	1.1		6.1	13	1.3		6.7	16	1.3		7.6	19	1.5		9	27	2
400 x 100	straight	130	10.4	8	2.5	146	11.6	10	3	164	13	13	3.5	182	14	15	3.6	224	18	21	4
	221/2"		9.1	9	2.1		10	11	2.4		11	14	2.8		12	17	3		15	24	4
	45°		5.8	10	1.2		6.4	13	1.3		7.3	16	1.4		7.9	20	1.5		10	27	2
450 x 100 300 x 150	straight	147	10.7	8	2.7	166	12	10	3.1	186	14	12	3.7	209	15	15	4	252	19	21	5
	221/2"		9.1	9	2.1		10.4	11	2.4		11	14	2.8		13	17	3		15	24	4
	45°		5.8	10	1.2		6.7	13	1.4		7.3	15	1.4		8.2	20	1.6		10	27	2
500 x 100 250 x 200	straight	161	11	8	2.7	184	12.5	10	3.2	208	13	12	3.5	231	16	15	4.2	278	19	21	5
	221/2"		9.4	9	2.3		10.7	11	2.5		12	14	3		13	17	3.4		16	24	4
	45°		6.1	10	1.3		6.7	13	1.4		7.6	15	1.5		8.8	19	1.8		10	26	2
600 x 100 400 x 150 300 x 200	straight	203	11.9	8	3.2	229	13	10	3.6	256	15	12	4.1	288	17	15	4.4	344	20	21	5
	221/2"		10.1	9	2.4		11	11	3.8		13	14	3.3		14	17	3.8		17	23	4
	45°		6.4	10	1.4		7.3	12	1.5		8.2	15	1.7		9.1	19	1.9		11	26	2
750 x 100	straight	246	14.9	8	4.2	278	17	10	4.6	314	19	12	5.2	349	21	15	5.7	420	26	20	6
	221/2"		12.5	9	3.4		14	11	3.8		16	13	4.3		18	16	4.7		21	23	6
	45°		7.9	10	1.7		9.1	12	2		10.4	15	2.3		12	18	2.8		14	24	3
900 x 100	straight	293	13.4	8	3.7	330	15	10	4.2	373	17	12	4.6	415	20	14	5.4	496	24	20	6
	221/2"		11.3	9	2.9		13	11	3.3		14	13	3.8		16	16	4.3		20	23	5
	45°		7.2	10	1.5		8.2	12	1.7		9.4	15	2		10	18	2.2		13	25	3
250 x 150	straight	125	9.8	8	2.3	142	12	10	3	158	13	13	3.3	177	15	15	3.8	212	17	21	4
	221/2"		8.5	9	1.9		10	11	2.2		11	14	2.6		12	17	2.9		15	24	4
	45°		5.5	10	1.2		6.4	13	1.3		7	16	1.4		8	20	1.5		9	27	2
350 x 150	straight	172	11.3	8	2.9	196	13	10	3.3	219	14	12	3.8	245	16	15	4.2	293	20	21	5
	221/2"		9.8	9	2.3		11	11	2.6		12	14	3		13	17	3.4		17	27	4
	45°		6.1	10	1.3		7	13	1.4		8	15	1.6		8	19	1.7		11	20	2
450 x 150	straight	222	12.2	8	3.2	252	14	10	3.8	283	16	12	4.2	314	17	15	4.4	378	22	23	6
	221/2"		10.4	9	2.5		12	11	3		13	15	3.5		15	16	3.8		18	25	4
	45°		6.7	10	1.4		7.6	12	1.6		8.5	12	1.8		9	18	2		12	20	3
500 x 150	straight	255	12.5	8	3.6	288	14	10	4	321	17	13	4.4	359	19	15	4.9	434	22	23	6
	221/2"		11	9	2.7		12	11	3		14	14	3.7		15	10	4.1		19	25	5
	45°		7	10	1.5		7.9	12	1.7		9.1	15	1.9		10	18	2.2		12	21	1
600 x 150 450 x 200	straight	309	13.7	8	3.8	352	16	10	4.3	396	17	12	4.7	439	20	14	5.2	529	24	23	7
	221/2"		11.3	9	2.9		13	11	3.5		15	13	3.9		17	16	4.3		20	25	2
	45°		7.3	10	1.5		8.5	12	1.8		9.8	15	2.1		11	18	2.4		13	20	3
750 x 150	straight	382	14.9	7	4.2	429	17	9	4.6	474	19	11	5.1	543	21	14	5.8	651	26	19	7
	221/2"		12.5	8	3.4		14	10	3.8		16	13	4.2		17	16	4.6		21	22	6
	45°		7.9	9	1.7		9.1	11	2		10.4	14	2.3		11	17	2.6		14	25	3
900 x 150 1200 x 100	straight	458	15.5	7	4.5	519	17	9	4.7	585	20	11	5.5	647	23	14	6.3	778	28	20	7
	221/2"		13.4	8	3.7		15	10	4		17	12	4.4		19	16	5.1		23	22	6
	45°		8.5	9	1.9		9.5	11	2.1		11	14	2.6		12	17	3		15	25	4